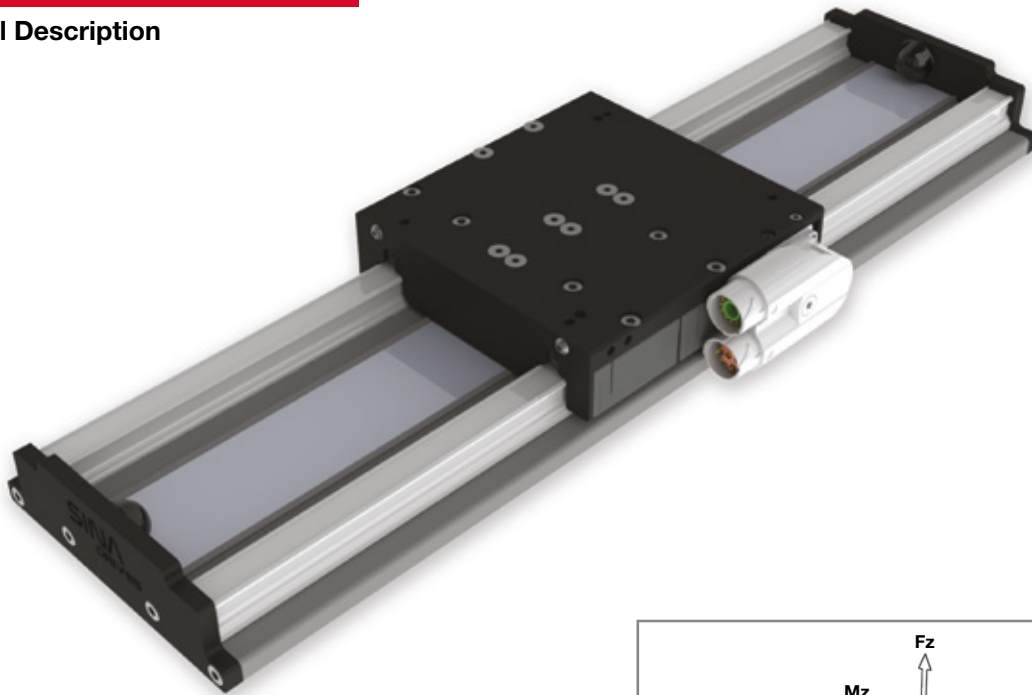
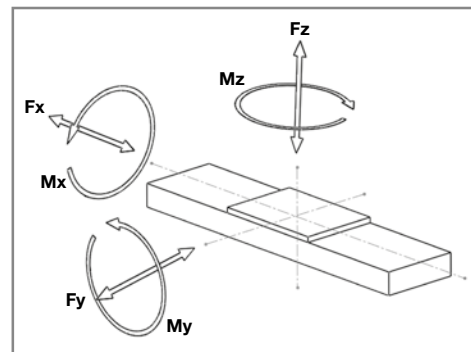


# MCE 3 linear motor stages

## Technical Description



Repeatability of measuring system:  $\pm 1 \mu\text{m}$   
 Repeatability linear unit:  $\pm 5 \mu\text{m}$   
 Maximum speed: 9 m/s  
 Maximum acceleration: 71 m/s<sup>2</sup>  
 Maximum Length without joints: up to 6.000 mm  
 Operating voltage: 600Vdc  
 Max. Operating voltage: 900Vdc



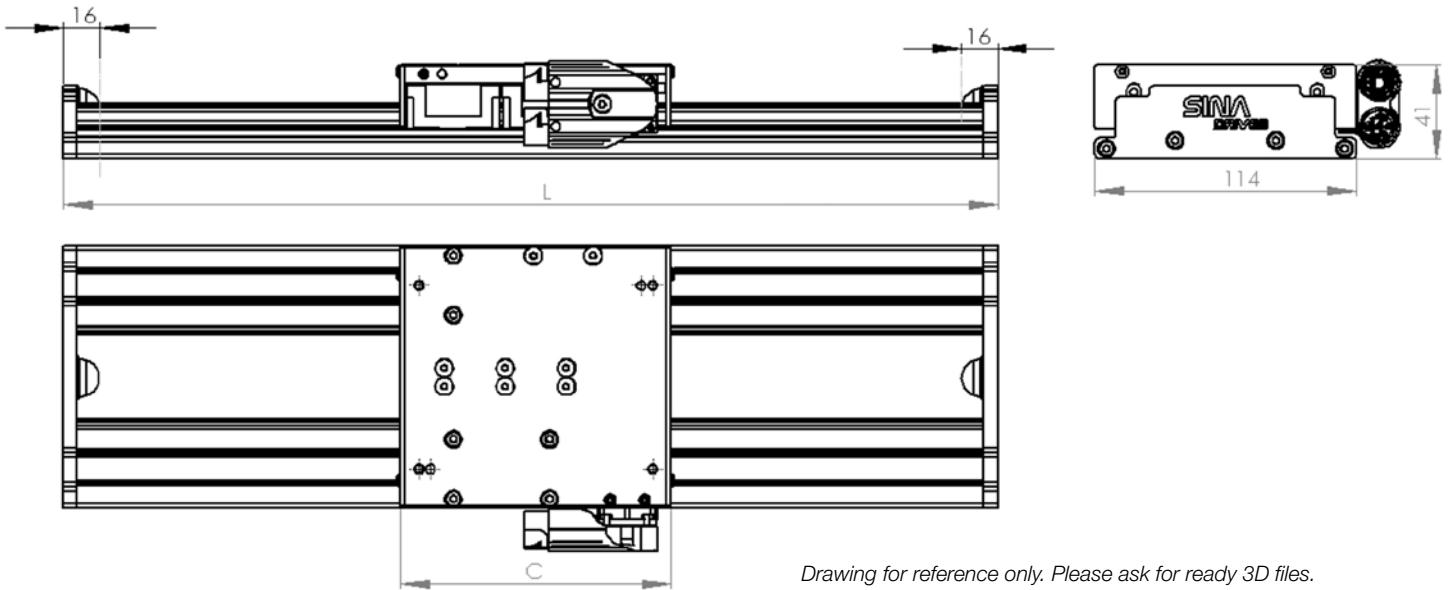
## Mechanical specifications

Linear motor stage		MCE 30100
Carriage typ		S
<b>Linear motor features</b>		
Maximum speed <sup>1)</sup>	m/s	-
Continuous force aircooled <sup>2)</sup>	N	28
Peak force	N	99
Nominal current	A	1,5
Peak current	A	5,8
<b>Guidance features</b>		
Fy	N	900
Fz	N	500
Mx	Nm	125
My	Nm	200
Mz	Nm	200
For the sum of all forces and moments:	$\frac{F_{ye}}{F_y} + \frac{F_{ze}}{F_z} + \frac{M_{xe}}{M_x} + \frac{M_{ye}}{M_y} + \frac{M_{ze}}{M_z} < 1$	(Xe = calculated value) (Xx = max. catalogue value)
<b>Structure profile features</b>		
Geometrical moments of inertia Lx	mm <sup>4</sup>	0,08x10 <sup>5</sup>
Geometrical moments of inertia Ly	mm <sup>4</sup>	8,44x10 <sup>5</sup>
Elastic module	N/mm <sup>2</sup>	70000
<b>Weight</b>		
Weight of carriage	kg	1,4
Weight of 100 mm	kg	0,78

<sup>1)</sup> for a lifetime > 30.000 Km

<sup>2)</sup> depending on the application and ambient temperature

## Dimensions MCE 3



Drawing for reference only. Please ask for ready 3D files.

### Choice of stroke

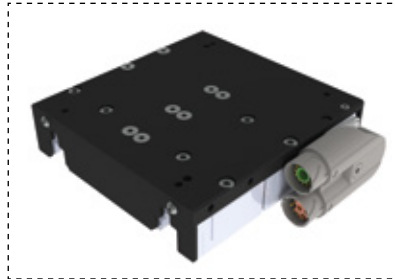
<b>Linear motor stage</b>	<b>MCE 30100</b>
<b>Carriage typ</b>	<b>S</b>
<b>Carriage length C, mm</b>	118
<b>Length, mm</b>	<b>Stroke <sup>(1)</sup></b>
160	10
288	138
416	266
544	394
672	522
800	650
928	778
1056	906
1184	1034
1312	1162
1440	1290
1568	1418
1696	1546
1824	1674
1952	1802
2080	1930
2208	2058
2336	2186
2464	2314
2592	2442
2720	2570
2848	2698
2976	2826
3104	2954
3232	3082
3360	3210
3488	3338
3616	3466
3744	3594
3872	3722

<sup>1)</sup> other stroke lengths are available under request

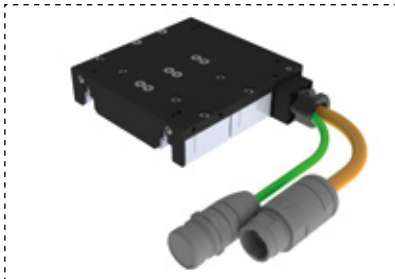
# MCE 3 Options

## Connector Options

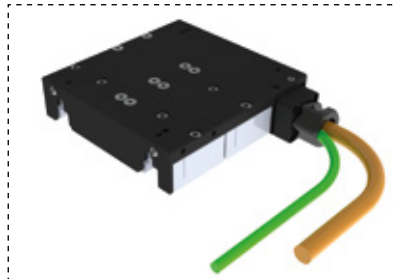
■ angled connectors 90° YTEC (1)



■ cable output with connectors M23 (4)



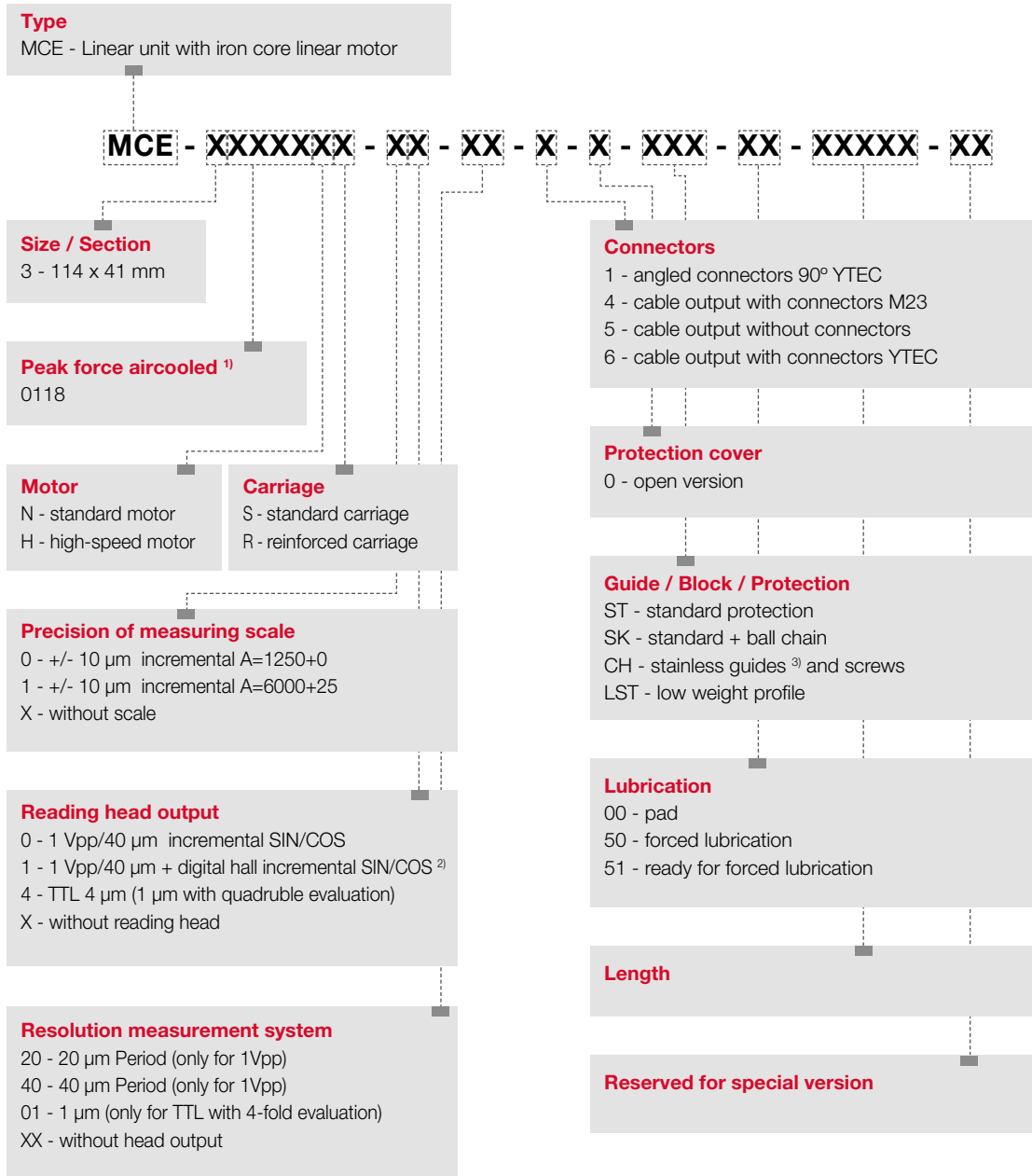
■ cable output without connectors (5)



■ cable output with connectors YTEC (6)



# Order Code MCE 3



<sup>1)</sup> Depends on application and temperature

<sup>2)</sup> On request