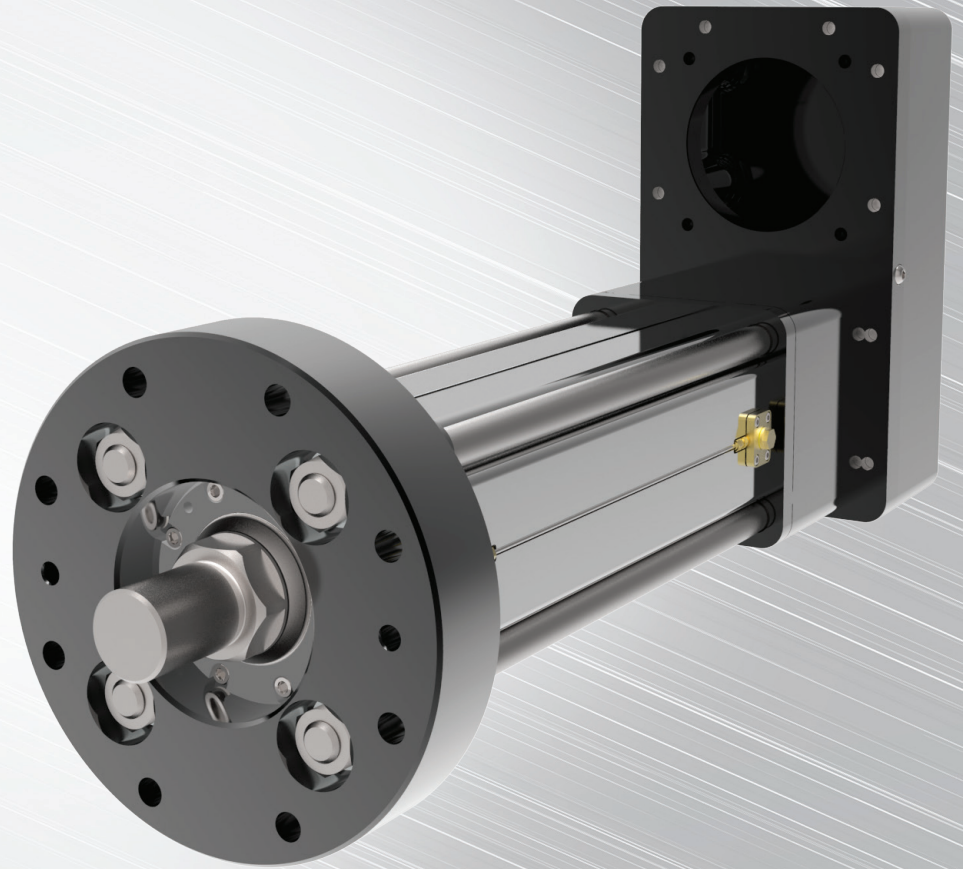


***CURTISS -
WRIGHT***



**FTP Series
High Force Press Actuator**

Next Generation Product Brochure

EXLAR[®]

High Force Press Actuator

FTP Series

Product Description

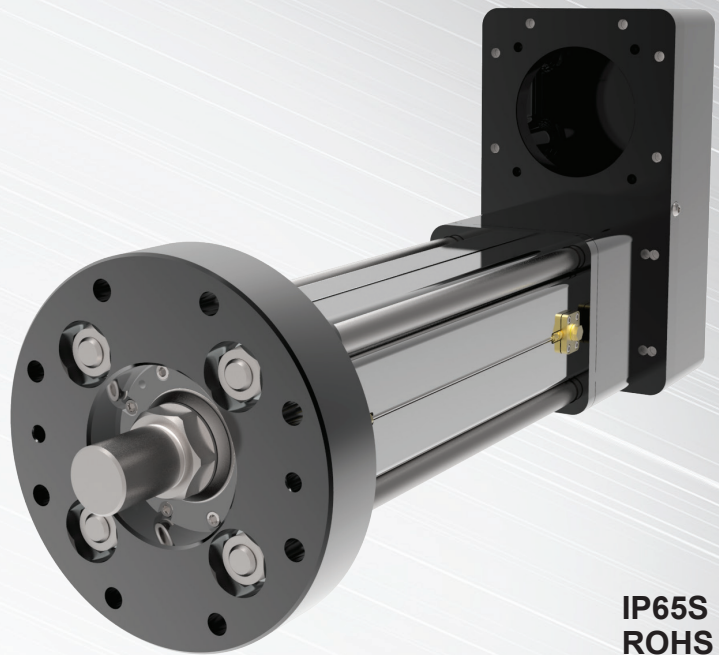
The FTP Series high force electric press actuators are designed to provide very high force in a small package, making them an ideal alternative to hydraulic cylinders. Based on planetary roller screw technology, it offers force density not attainable with more common ball screw based electric actuators, up to 15x the life and 2x the force density in most cases.

Programmable and Accurate

Attaining any kind of accuracy with a traditional hydraulic solution requires complicated servo valves that are difficult to set up and need frequent adjustment for optimum performance. Once set, changeover to a different part or mode of operation is equally as troublesome. The all-electric FTP Series utilizes commonly understood servo motor technology, offering ease of use, accuracy, control, and flexibility not available with hydraulics.

Reliable and Efficient

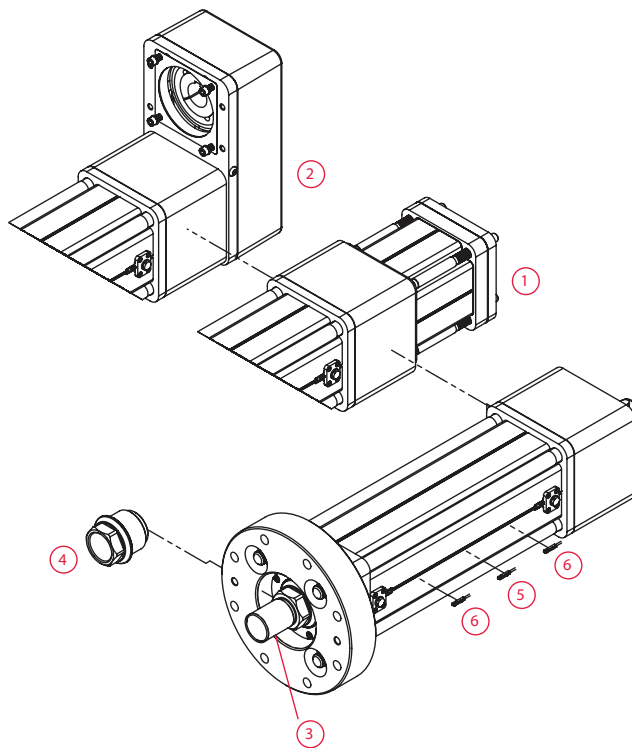
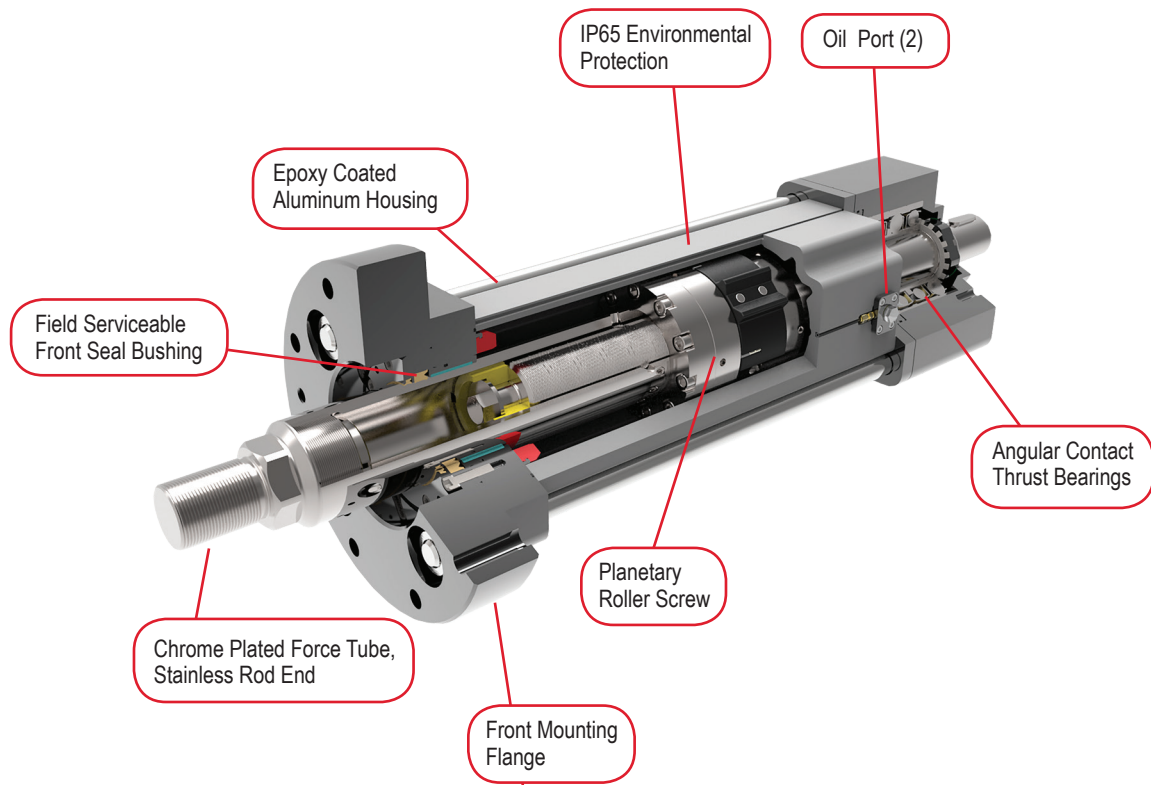
The FTP Series actuators allow machine builders to meet the ever-increasing performance demands of their customers while eliminating the maintenance issues and downtime associated with traditional hydraulic solutions. Their programmability and flexibility significantly reduces changeover time between production runs, enabling smaller batch sizes, and they typically consume 25% less energy than a typical hydraulic solution. Increase your operational efficiency today by switching to the FTP Series.



IP65S
ROHS

Performance Range				
Model	Frame Size mm (in)	Stroke mm (in)	Max Force kN (lbf)	Max Speed mm/sec (in/sec)
FTP160	160 (6.3)	150 (6), 300 (12), 600 (24)	200 (45,000)	401 (15.8)
FTP215	215 (8.5)		356 (80,000)	351 (13.8)

Product Features



*Ordered Separately

Industries & Applications

The Exlar FTP Series high force electric press actuators meet the most demanding pressing applications on the market. Successful applications include bearing press, stamping, and leak testing among others. We have extensive experience in applying the right product or system to solve your most difficult manufacturing challenges. Our representatives can provide guidance to optimize system performance, eliminate premature wear, increase production, improve quality, and ultimately reduce costs. Below are some of the most common applications for the FTP Series. Give one of our representatives a call today to go over your application.

Automotive

- Stamping
- Clinching
- Pressing

Machining

- Metal forming
- Molding
- Forging
- Straightening

Material Handling

- Stamping
- Punching
- Pressing

To see more specific FTP Series product details visit <https://exlar.com/product/ftp-series/>





Success Story

Specialty Machine Builder Improves Overall Performance

CUSTOMER

In designing and manufacturing machines to fabricate, press, size, weld, join, straighten, or cut, specialty machine builders often need to get greater performance and improved accuracy to meet their customer's specifications. These innovative solutions are used in warehouse automation as well as automotive and aerospace industries.

APPLICATION

Steel shaft bars consisting of different steel compositions, 24 to 30 feet long with varying diameters, are used in telehandlers, skid steers, and lift trucks. Hydraulic presses are often used to straighten these rods but can be problematic because of the maintenance and downtime required. The application demands the actuator travel along the rod and apply high force in 4 to 6 locations, as needed, to straighten the rod.

CUSTOMER CHALLENGE

In tailoring a solution for their customer, several requirements were considered. The entire machine needed to operate effectively, meeting desired accuracy and repeatability standards. Acceptable tolerances (.005 in) in straightening the rods were difficult to achieve, especially utilizing multiple material changes.

SOLUTION

The FTP Series actuators were chosen and boast forces up to 356 kN (80,000 lbs) giving it the power and precision needed to press the steel rods effectively. The high performance and repeatability of the actuator has been consistent. Other factors that influenced the customer's decision were Exlar's industry experience, the FTP Series programmability and long life, as well as the support offered by our local distributor.

USA & CANADA

Exlar Automation
18400 West 77th Street
Chanhassen, MN 55317
Phone: 855-620-6200 (US & Canada)
Fax: 952-368-4877

EUROPE

Exlar Europe GmbH
Schleißheimer Str., 91a
Garching bei München D-85748
Germany
Phone: +49 6184 994730

ASIA

Exlar Asia Pacific
1007 Pine City Hotel
8 Dong An Road, Xuhui District
Shanghai 200032 China
Phone: +86 021-6495-7868

***CURTISS -
WRIGHT***

EXLAR[®]

www.exlar.com